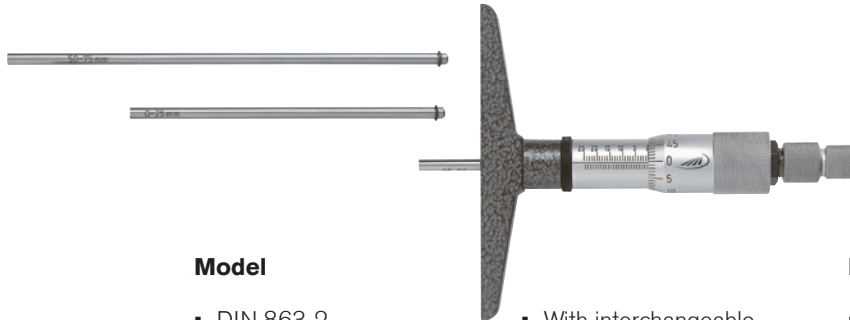




0882 Depth micrometers



DIN
863-2



Model

- DIN 863-2
- Reading: 0.01 mm
- Reading parts are satin chrome finished
- Locking ring
- Friction coupling

Delivery

- Wooden case

- With interchangeable steel measuring inserts dia. 4 mm
- Hardened measuring faces

»	¼	Measuring range mm	Length of beam mm	Pitch mm	Thimble dia. mm	Error limit mm	Order no.	List price EUR
Measuring faces dia. 0.8 mm, length 8.5 mm								
		0 - 50	50	0.5	20	0.004	0882 300	274.00
		0 - 75	50	0.5	20	0.005	0882 301	298.00
		0 - 100	100	0.5	20	0.005	0882 303	327.00
		0 - 150	100	0.5	20	0.006	0882 304	383.00
		0 - 300	100	0.5	20	0.009	0882 306	617.00

0886 Micrometer heads



DIN
863-2



Model

- DIN 863-2
- Reading: 0.01 mm
- Reading parts are satin chrome finished
- Carbide measuring faces

Delivery

- Plastic case

»	¼	Measuring range mm	Spindle dia. mm	Thimble dia. mm	Attachment dia. mm	Error limit mm	Description	Order no.	List price EUR
		0 - 6.5	3.5	9.5	6.0	0.003	without ratchet stop	0886 503	24.40
		0 - 13	6.5	13.5	9.5	0.003	without ratchet stop	0886 505	28.10
		0 - 25	6.5	18	12	0.003	with ratchet stop	0886 507	24.40
		0 - 25	8	18	12	0.003	ratchet stop, non-rotating spindle	0886 513	43.30