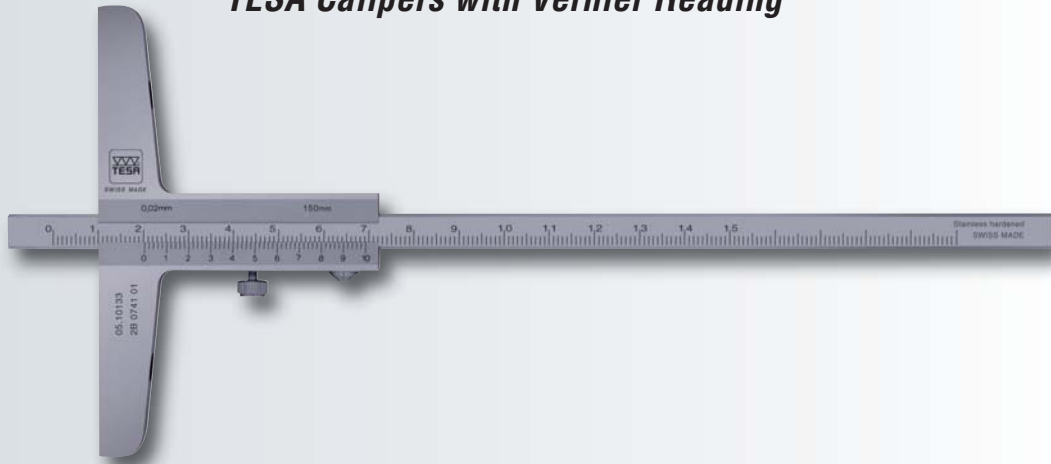


TESA Calipers with Vernier Reading



DIN 862
(Style C-2)
NF E 11-096

Satin-chrome
scale background;
main scale
slightly set back for
wear protection

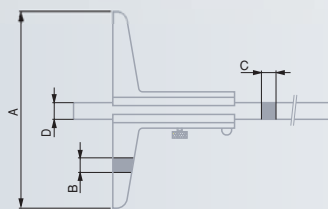
See page A-2

Hardened
stainless steel

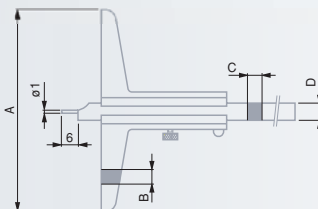
Plastic case

Identification
number

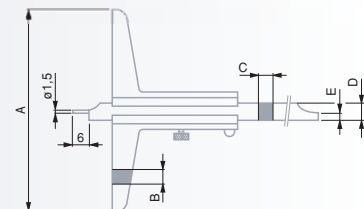
Inspection report
with a declaration
of conformity



A



B



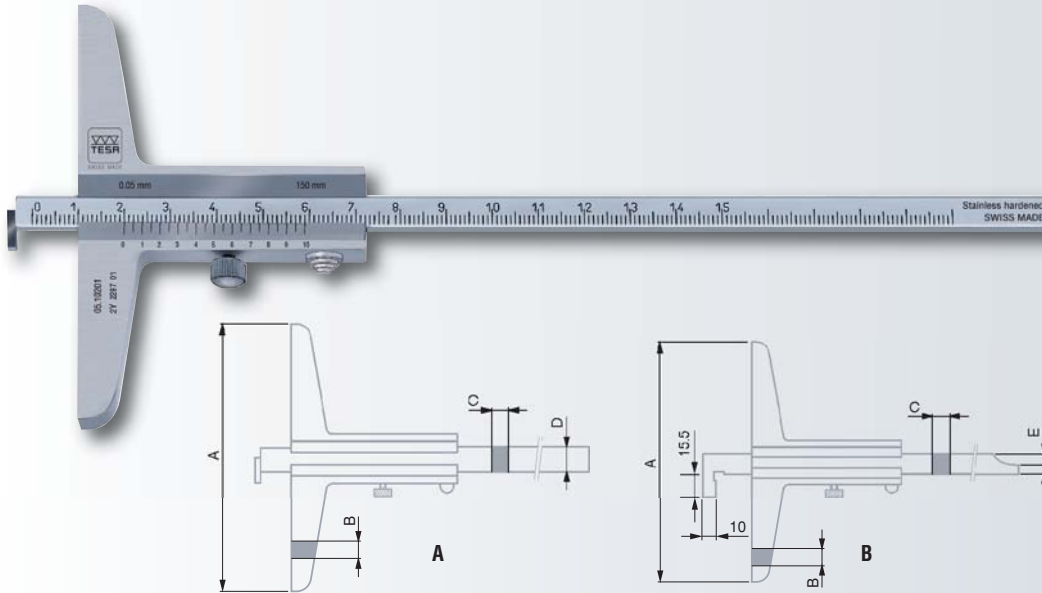
C

	mm	mm	mm				
			A	B	C	D	E
Models A with a flat measuring face							
00510133	0 ÷ 150	0,02	100	7,5	3	8	
00510134	0 ÷ 150	0,05	100	7,5	3	8	
00510143	0 ÷ 250	0,02	100	7,5	3	8	
00510144	0 ÷ 250	0,05	100	7,5	3	8	
00510163	0 ÷ 500	0,02	100	8,5	4	12	
00510164	0 ÷ 500	0,05	100	8,5	4	12	
00510173	0 ÷ 600	0,02	150	8,5	4	12	
00510174	0 ÷ 600	0,05	150	8,5	4	12	
Models B with a steel tip							
00510111*	0 ÷ 80	0,02	50	7,5	3	8	
00510112*	0 ÷ 80	0,05	50	7,5	3	8	
Models C with both a short cut measuring face and steel tip. Convertible models.							
00510123	0 ÷ 150	0,02	100	7,5	3	8	3,5
00510124	0 ÷ 150	0,05	100	7,5	3	8	3,5
00510125	0 ÷ 250	0,02	100	7,5	3	8	4
00510126	0 ÷ 250	0,05	100	7,5	3	8	4

Optional Accessories

0051610365 Magnetic magnifying glass, 3x magnification.
200, 300 or 400 mm removable bridge (see page A-22).

* The removable bridge available as an option is not convenient for these models.



DIN 862
(Style C-2)
NF E 11-096

Satin-chrome
scale background;
main scale
slightly set back for
wear protection

See page A-2

Hardened
stainless steel

Plastic case

Identification
number

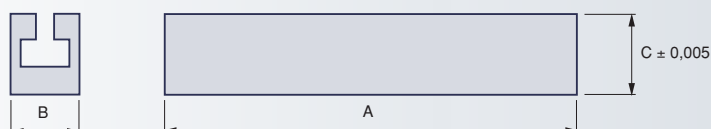
Inspection report
with a declaration
of conformity

	mm	mm	mm				
			A	B	C	D	E
Models A with rotary stop plate							
00510202	0 ÷ 150	0,02	130	8,5	4	12	
00510201	0 ÷ 150	0,05	130	8,5	4	12	
00510212	0 ÷ 250	0,02	130	8,5	4	12	
00510211	0 ÷ 250	0,05	130	8,5	4	12	
00510222	0 ÷ 500	0,02	130	8,5	4	12	
00510221	0 ÷ 500	0,05	130	8,5	4	12	
Models B with both a fixed stop plate and short cut measuring face. Convertible models.							
00510175	0 ÷ 150	0,02	100	7,5	3	8	3,5
00510176	0 ÷ 150	0,05	100	7,5	3	8	3,5
00510177	0 ÷ 250	0,02	130	8,5	4	12	4
00510178	0 ÷ 250	0,05	130	8,5	4	12	4
00510179	0 ÷ 300	0,02	150	8,5	4	12	4
00510180	0 ÷ 300	0,05	150	8,5	4	12	4
00510181	0 ÷ 500	0,02	150	8,5	4	12	4
00510182	0 ÷ 500	0,05	150	8,5	4	12	4
Optional Accessories							
0051610365	Magnetic magnifying glass, 3x magnification. 200, 300 or 400 mm removable bridge (see table below).						

Removable Bridge

		A mm	B mm	C mm	mm
00560103	Removable bridge	200	8	10	± 0,005
00560104	Removable bridge	300	8	16	± 0,005
00560105	Removable bridge	400	8	16	± 0,005

Each bridge comes with suited attachment.



Factory
standard

See table

Suited
carrying case

Identification
number

Inspection report
with a declaration
of conformity